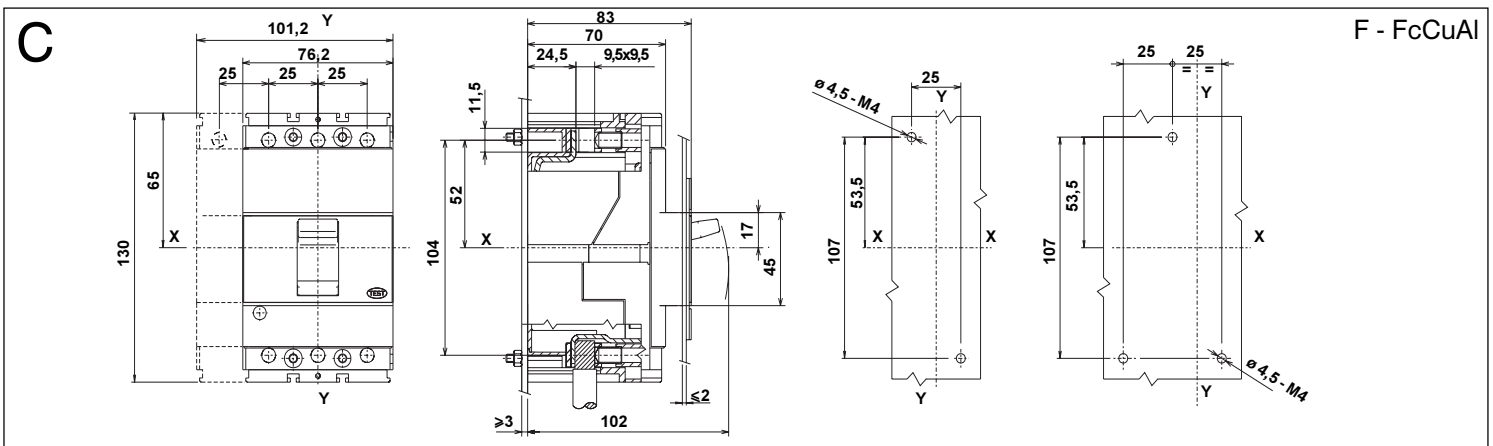
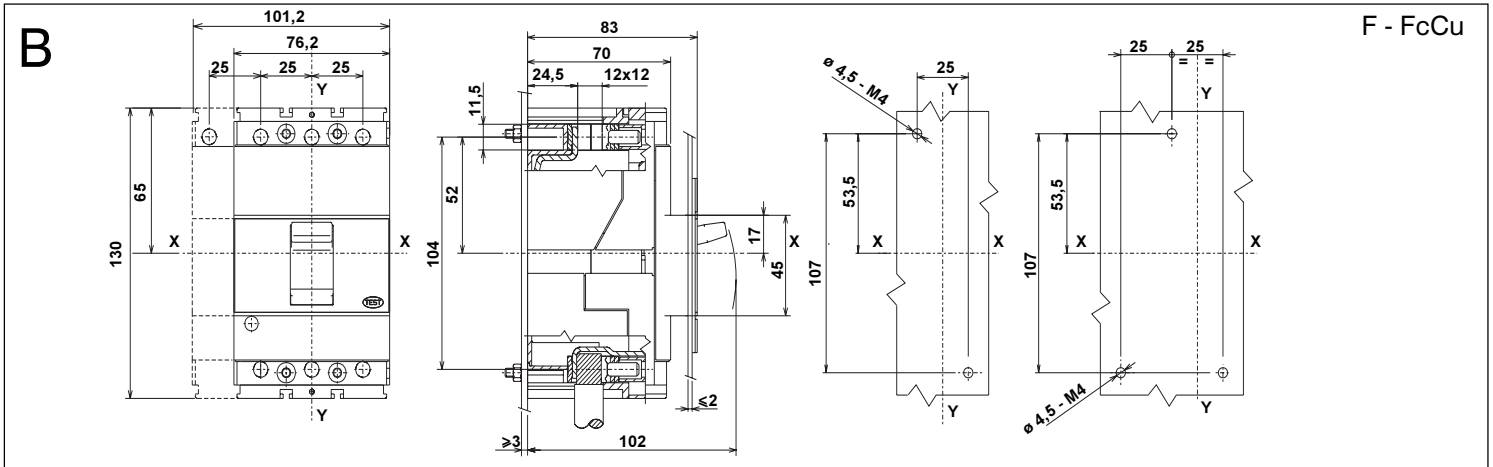
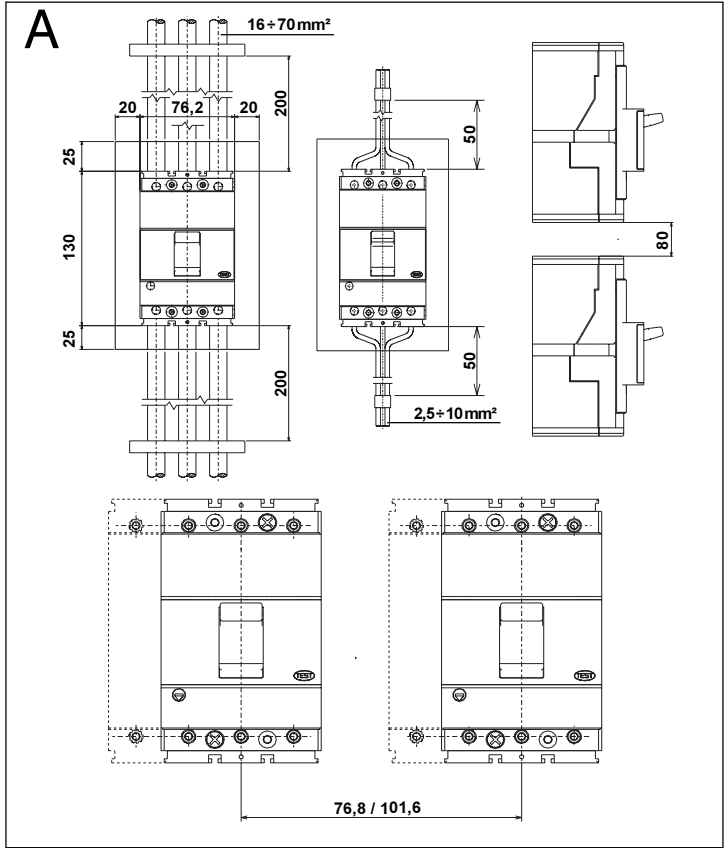
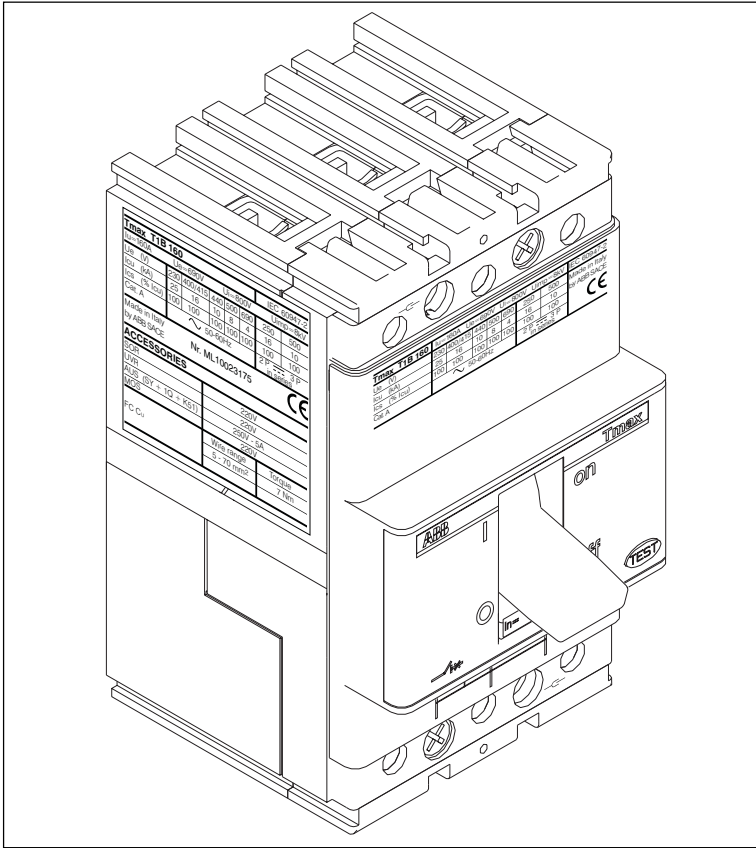
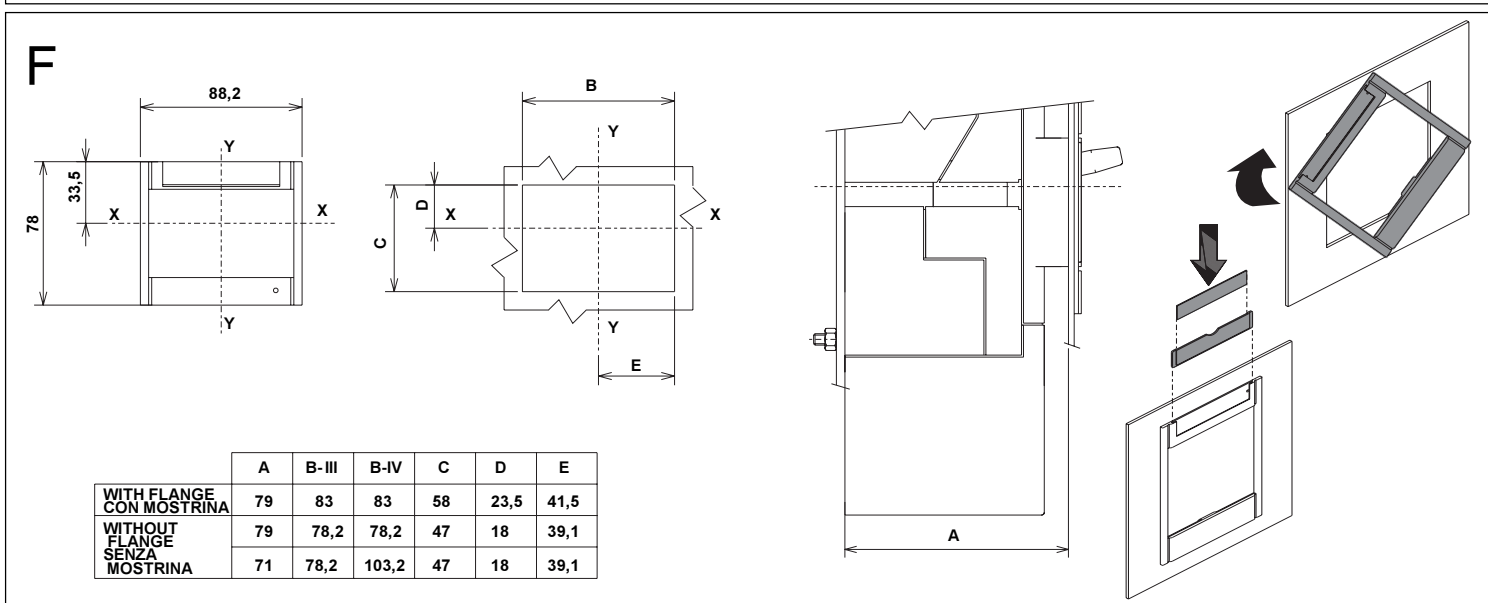
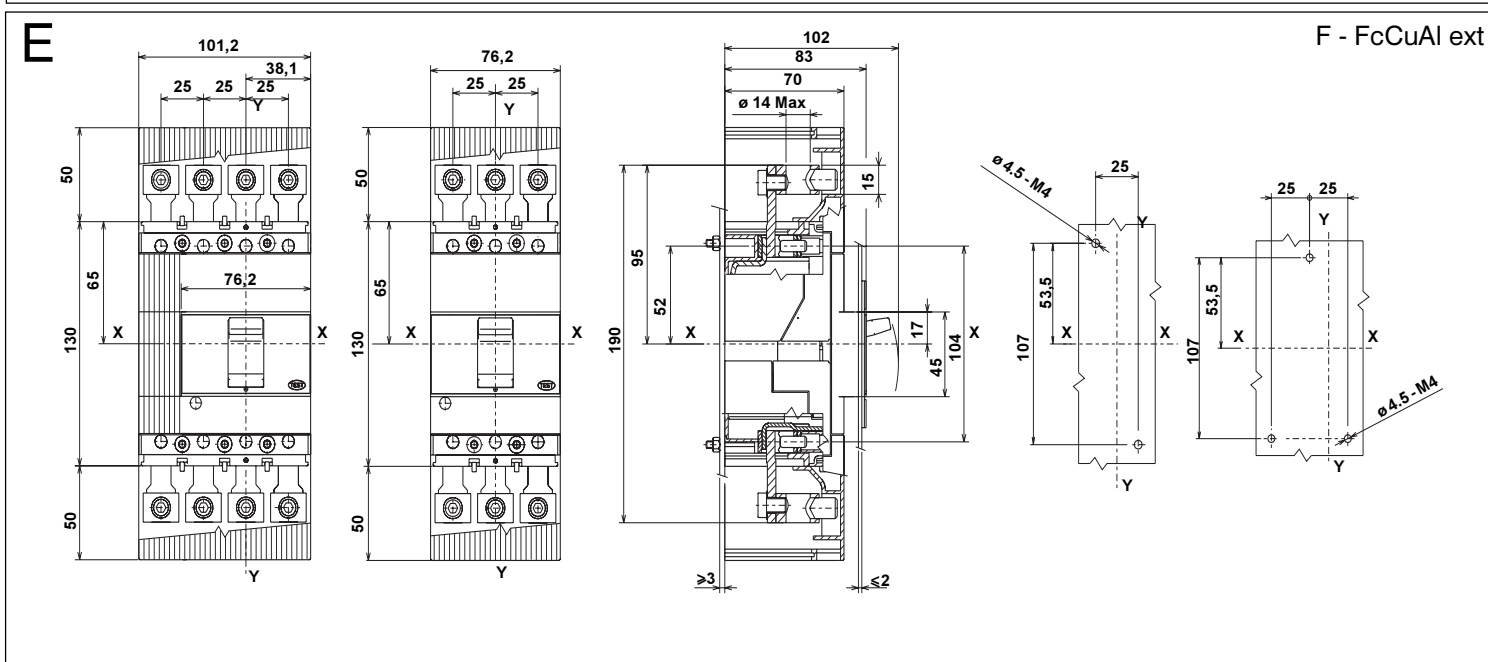
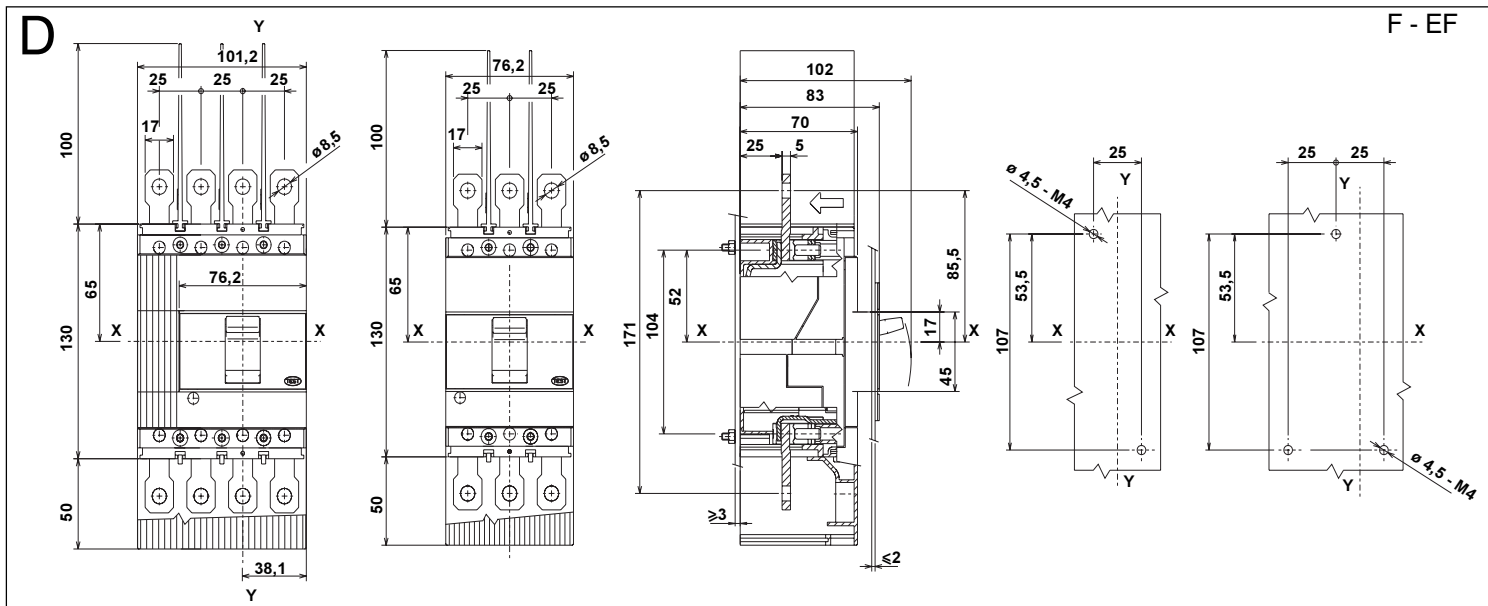


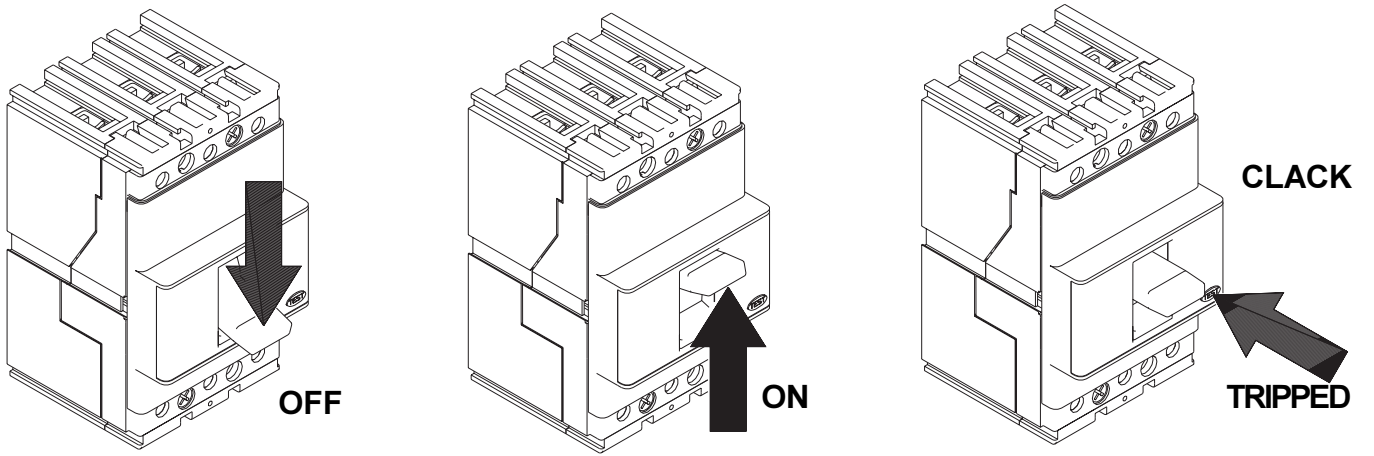
# Tmax T1

DOC. N.° RH0011.001- L0371

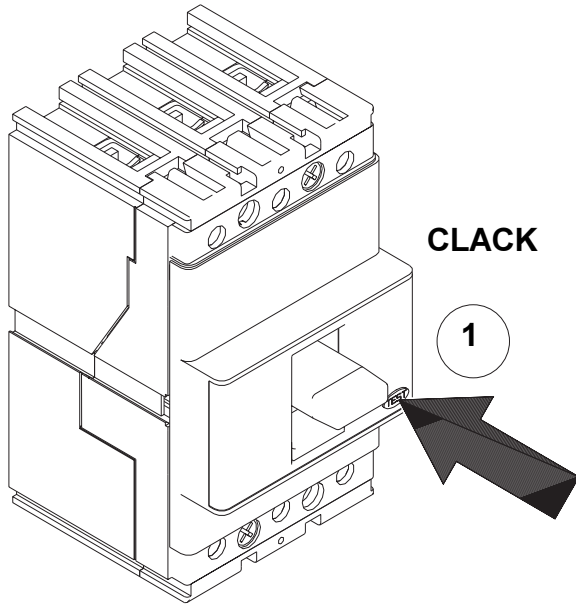




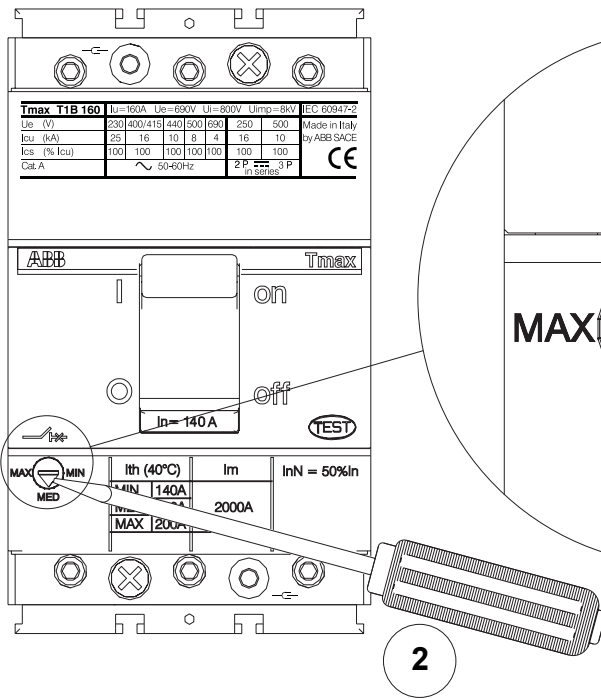
G



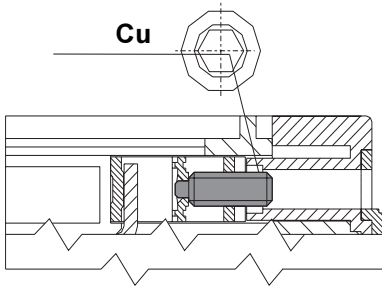
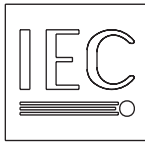
H



In (A)	Min (0.7)	Med (0.85)	Max (1xIn)
16	11.2	13.6	16
20	14.0	17.0	20
25	17.5	21.3	25
32	22.4	27.2	32
40	28.0	34.0	40
50	35.0	42.5	50
63	44.1	53.6	63
80	56.0	68.0	80
100	70.0	85.0	100
125	87.5	106.3	125
160	112.0	136.0	160



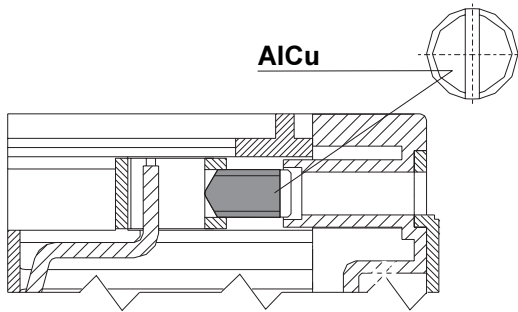
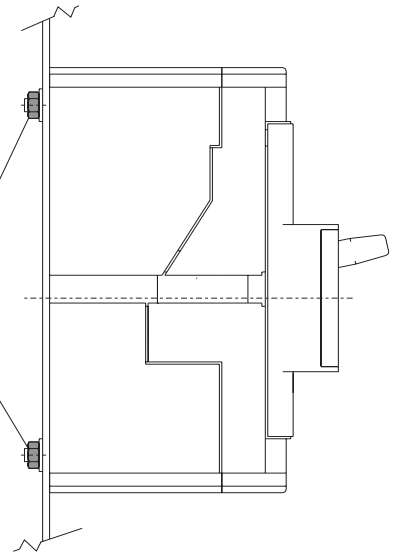
I



Sez. Cavo;  
Wire Size.  
mm<sup>2</sup>

Max	70	50
Min	2,5	2,5
Nm	7	7

1,1 Nm



Wire Size  
AWG



lb in



14-10

20

8

40

6-1/0

45

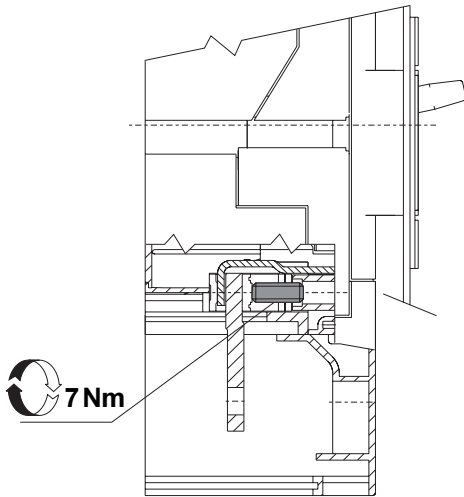
Sez. Cavo;  
Wire Size.  
mm<sup>2</sup>



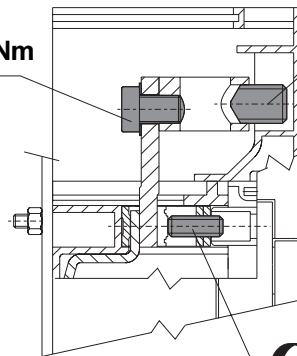
Nm

35 ÷ 95

13,5



9 Nm



7 Nm



**ABB**

**ABB SACE S.p.A.**

Via Baioni, 35

24123 Bergamo- Italy

Tel. +39 035 395.111- Telefax +39 035 395.306 - 433

<http://www.abb.com>